



INSTALLATION PROCEDURE FOR WOOD OR METAL RAILS

STEP 1

Select Optimum Rail Location

To ensure maximum stability and support, the recommended location is where the vertical rails intersect with either the bottom or top horizontal rail.

NEVER affix the Rail Mount on railing that is rusted, bent, cracked, has deficient or broken welds/connections to the top or bottom horizontal rails, or railing that is not structurally stable in its connection to the building structure.

STEP 2

Position Plates #1 and #2

Place PLATE #1 on top of PLATE #2 as shown. Place a LOCK WASHER (A) onto each of four (4) 1 1/2" BOLTS (B).

Then insert the BOLT/LOCK WASHER assembly through the slot in PLATE #1 and thread into PLATE #2.

STEP 3

Assemble Plates #1 and #2

Set the assembled plates at the install location determined on the existing railing, adjust the two plates in such a manner as to "lightly clamp" the opposing edges of the plate assembly to the vertical rails and then tighten securely to a torque of 250in-lbs., the four (4) 1 1/2" BOLTS (B) in the assembly.

You have secured the PLATE #1 / PLATE #2 assembly.

NOTE: The four (4) 1 1/2" bolts (B) **MUST** be mechanically tightened to a torque of 250 in-lbs. prior to step 4, otherwise the threaded inserts in plate #2 may be damaged.

STEP 4

Secure Plate #3

Align PLATE #3 with the PLATE #1 / PLATE #2 assembly on other side of railing. Ensure the part label for PLATE #3 identifying "UP" is in the proper direction.

Insert the holes of PLATE #3 onto the 1 1/2" BOLTS (B) from the PLATE #1 / PLATE #2 assembly.

Secure PLATE #3 to the mount and the existing railing by threading onto the 1 1/2" bolts (B), the provided serrated HEX NUTS (C).

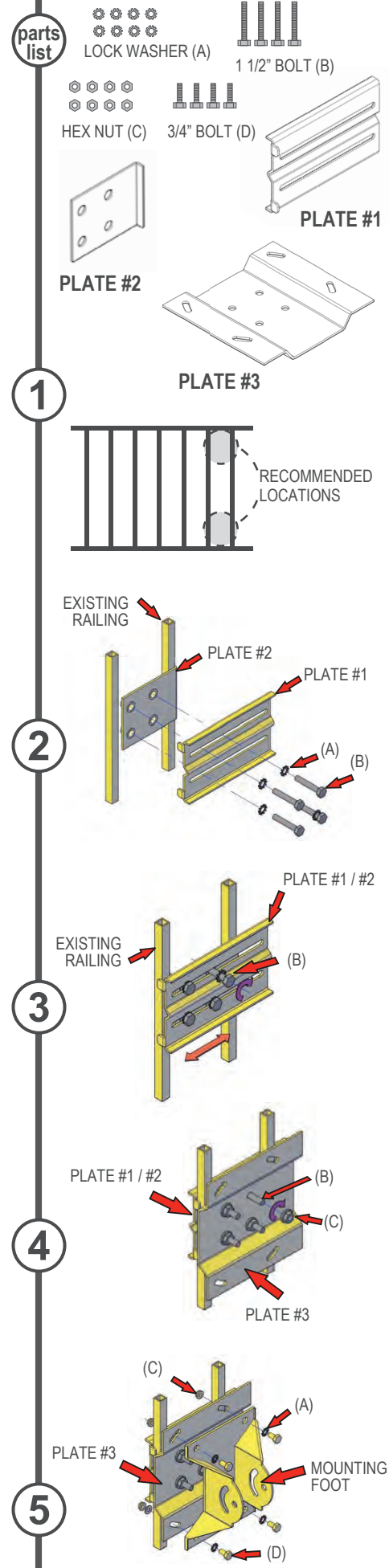
Securely tighten to a torque of 250 in-lbs, the hardware on the assembly and ensure both the Rail Mount and the existing railing are structurally sound. The HEX NUTS (C) will have to be tightened several times to achieve the required torque while securing the BOLT (B) from spinning in order to achieve the required torque.

STEP 5

Anchor Antenna

Lastly, seat and level the Antennae mounting foot (not included) onto PLATE #3 using the 3/4" BOLTS (D) with the LOCK WASHER (A) and HEX NUTS (C), securely tighten to a torque of 144 in-lbs.

Orient the antenna per manufacturer's instructions.





WARNINGS

- This product can be effectively used on most railing in good condition. Do not use this product on railing that is rusted, bent, cracked, has deficient or broken welds & connections to the top or bottom horizontal rails or railing that is not structurally stable in its connection to the building structure.
- For safety purposes, avoid working during conditions of inclement weather.
- Exercise extreme caution to avoid contact with power lines, electric lights or power circuits. Failure to do so could be harmful or fatal.
- Use of hand gloves and protective eyewear is recommended.
- Hardware supplied with this unit, including all nuts, bolts and washers, are specifically designed and manufactured to meet the requirements of installation of this mount. The substitution of any other hardware may result in failure of the mount. Under no circumstances should any hardware or the mount be modified in any way other than the original intent of the manufacturer.

Use of this product should only be attempted by adults skilled in the use of tools and equipment to the extent necessary for proper installation. Prior to use, individuals should thoroughly review the instruction sheet to ensure personal safety of him/herself and others during use of this product. If you have any doubt concerning your competence or expertise to adequately perform the required installation procedures, please consult a qualified installation professional.

Purchaser agrees to indemnify Infinite Innovations, Inc. and/or assigns against all claims or allegations regarding personal injury or personal property upon delivery and acceptance of manufacturer's product. Infinite Innovations, Inc. and its' authorized affiliates shall assume no responsibility or obligation to repair or replace broken roof tiles that may exist on customer premises prior to use of this product, or roof tiles that are caused to be damaged as a result of negligence or improper use by an individual using this product.

Limited Product Warranty

Note - Proof of purchase in the form of a written receipt from the manufacturer or an authorized distributor is required for warranty service.

Warrantor - Infinite Innovations, Inc.

Terms of Warranty - Every effort has been made by the manufacturer to make this exclusive antenna-mounting product as simple as is reasonably possible for the benefit of the end-user. Infinite Innovations, Inc. warrants for one year from the date of purchase to the original purchaser, that our products are properly packaged and shipped free of any defects in materials and workmanship.

What Isn't Covered - This warranty covers only defects in materials and workmanship provided by the manufacturer. This warranty does not cover product damage, malfunction or personal injury to self or others caused by use or misuse, improper handling, negligence, abuse, or natural disasters. Product installation must be performed in accordance with written instructions issued by the manufacturer. Infinite Innovations, Inc shall not be liable for additional installation charges associated with incidental or consequential damages to personal property caused by users of this product.

Remedy - In the event that the product does not conform to this warranty, Infinite Innovations, Inc. may exchange the product at no additional charge to original purchaser. Purchaser shall pay shipping and handling fees. To make a claim - ship the damaged unit postage paid to the following address: Please allow 7-10 business days from receipt for processing.



infinite innovations inc.

Attention: Claims Department
4001 North 28th Avenue
Phoenix, Arizona 85017